

Horizon

PAPER JOGGER

PJ Series

Air-assist Vibrating
Paper Jogger



HIGH QUALITY PAPER JOGGER.

For easy paper handling and smooth post press processing.

BENEFIT

- Wide range of substrates can be jogged with quick and easy operation.
- Foot pedal operation.

Only for PJ-200

- Problematic static is eliminated with ionized air for easy paper handling and smooth post press processing.
- User friendly operation; choose operation mode and monitor status.

PAPER JOGGING

- Combination of vibration and blowing air provide quick separation and firm jogging.
- Wide range of substrates can be jogged.
- V-shaped jogger tray for easy paper loading. Criss cross stacked pile can be loaded easily.

Angle adjustable jogger tray



SEPARATION CONTROL PANEL

- The amount of air can be changed with a simple volume adjustment. Blower ON or OFF can be selected.

Only for PJ-200

- Ionizer automatically activates according to the amount of air set by the volume. Ionizer operation status can be monitored by LED lamp.



2 TYPES OF OPERATION MODES

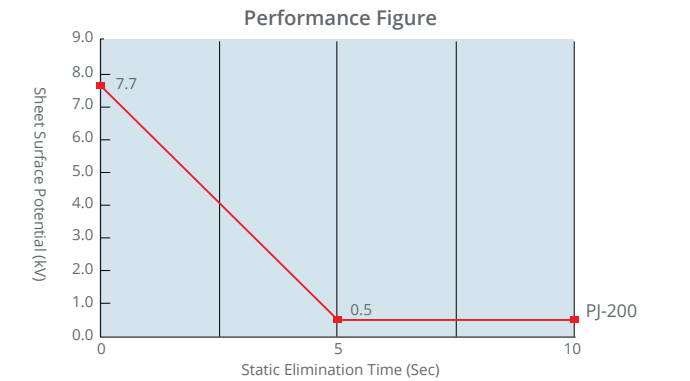
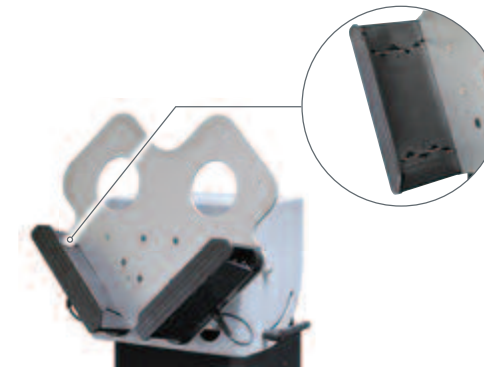
- Either Foot Pedal Mode or Continuous Mode can be selected.
- Vibrating time can be adjusted depending on substrate and static condition.



PJ-200

STATIC ELIMINATION FUNCTION Only for PJ-200

- Ionized air eliminates static electricity requiring sheet feeding quickly to prevent the mis-feed and double-feeding at post press equipment systems requiring sheet feeding.



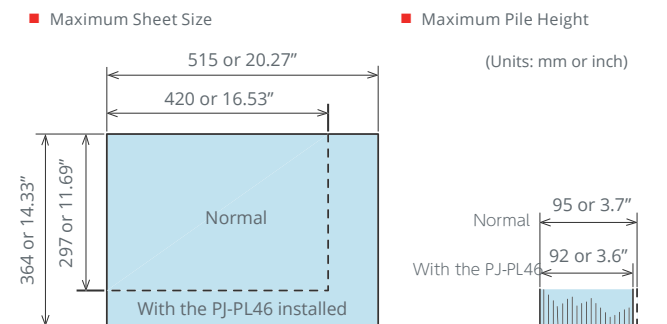
Measurement Conditions
 Environmental Test Room: Temperature 20 degrees Celsius or 68 degrees Fahrenheit, Humidity 20%
 Thermometer and Hygrometer: 20 degrees Celsius or 68 degrees Fahrenheit, Humidity 28%
 Paper: Both sides printed A4 normal paper with the 17 mm or 0.67" thickness

* - The data is the test result, not the guaranteed performance.
 - The static eliminator has a 6,000 hour life, which will endure 12 years with the operation of two hours a day and 240 days a year. (Depends on the operating environment and conditions.)

OPTIONS.

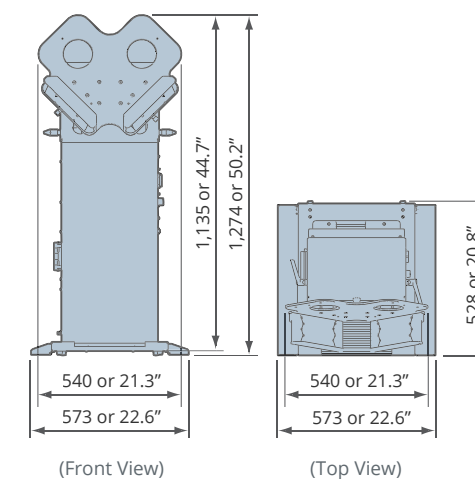
PJ-PL46 EXTENSION PLATE FOR SIZE B3

Sheets up to B3 size will be available by installing the extension plate.



SPECIFICATIONS.

Machine Dimensions. (Unit: mm or inch)



| PJ-110 / PJ-200 | |
|--------------------|--|
| Sheet Size | Width x Length Max. 297 x 420 mm or 11.69" x 16.53" Min. 128 x 182 mm or 5.03" x 7.16" *When using the option: Max. 364 x 515 mm or 14.33" x 20.27" B6 to A3 *When using the option: B6 to B3 |
| Pile Height | Max. 95 mm or 3.7" *When using the option: Max. 92 mm or 3.6" |
| Voltage/Frequency | Single Phase 115-120 V, 50 or 60 Hz Single Phase 220-240 V, 50 or 60 Hz |
| Machine Dimensions | 540 (W) x 528 (D) x 1,135 (H) mm or 21.3" x 20.8" x 44.7" *When using the option: 573 (W) x 528 (D) x 1,274 (H) mm or 22.6" x 20.8" x 50.2" |
| Machine Weight | 55 kg or 121.3 lb |

*The machine design and specifications are subject to change without any notice.
 *Specifications may vary depending on the job, paper quality, environmental influences, and various other factors. Please do a test run before starting production.

MORE AT
HORIZON.CO.JP



Horizon

Horizon International, Inc.

510 Kuze Ooyabu-cho, Minami-ku,
Kyoto, 601-8206, Japan
Phone : +81-75-934-6700
Fax : +81-75-934-6708
www.horizon.co.jp

Distributed by

 **STANDARD**

Standard Finishing Systems

10 Connector Road, Andover,
MA 01810
Phone : 877-404-4460 / 978-470-1920
Fax : 978-470-2771
www.standardfinishing.com