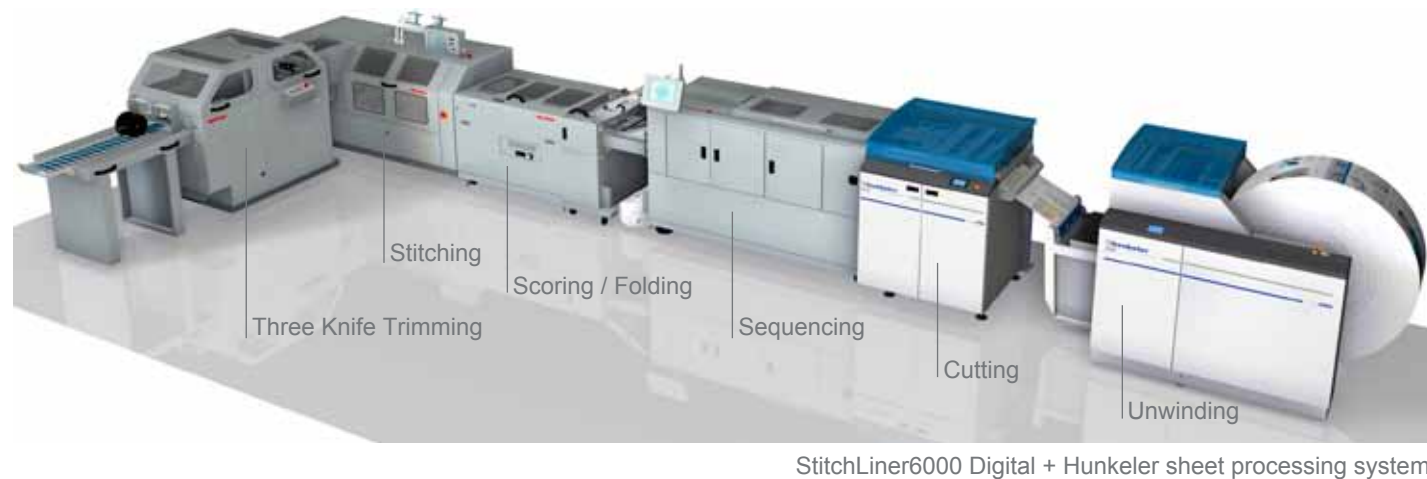


Horizon

Roll to Booklet Solution



The StitchLiner6000 Digital is the most productive and easy to use in-line saddle stitcher in its class.



StitchLiner6000 Digital + Hunkeler sheet processing system

Benefits

High Productivity:

High speed production --up to 6,000 booklets per hour-- is achieved with an advanced sheet sequencing module and high speed saddle-stitching system.

Quality Booklets:

Accurate folding, precise stitch placement and clean three-side trimming are applied to produce a high-quality finished booklet.

Advanced Interface:

Advanced intelligent interface minimizes system error down time and spoilage. This also simplifies system operation and maximizes overall productivity.

Flexible Feeders:

Up to two Intelligent and flexible vacuum cover feeders can be added for simple cover feeding or sheet inserting to handle a wide range of applications.

JDF Workflow:

System can be enhanced with JDF workflow from upstream to the postpress using pXnet bindery control system.

Suitable Markets

Applications

- One to one personalized applications
- Education
- Leaflets
- Direct mail
- Transpromo
- Financial printing

Industry Segments

- Commercial print
- Financial services
- Health care
- Government
- Marketing and advertising



CF-30S : Cover Feeder (Option)

Features

Easy Operation:

Easy and intuitive operation is achieved with touch screen control. No specialized operator skill are needed to set up and operate the system.

High Speed:

Maximum production speed is 6,000 booklets/hour (depending on application). An advanced interface minimizes the upstream system slowdown.

High Quality Finish:

Professional quality finished booklets are assured with renowned StitchLiner technology. Sheets are plow folded, stitched and three knife trimmed to form crisp, tight finished booklets.

Automatic Setup:

State of the art automation is employed for precise settings. Simply input the sheet size and the system sets up end-to-end automatically.

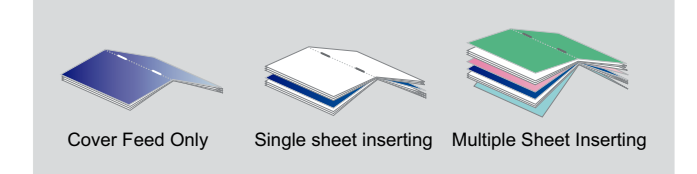
Variable Data Handling:

Personalized and variable page count applications can be handled. The in-line configuration insures sheet-to-sheet integrity.

Flexible Insertion:

An intelligent cover feeder enables flexible insertion of up to 5 sheets plus cover anywhere in the booklet.

Colored sheets are cover or insert sheets from cover feeder.



Configurations

System Configuration

The system consists of 4 main units. Several options are also available to handle specific applications.

AS-30S : Advanced Sequencing Module

A four-stage buffering section synchronizes the speed of the roll cutter and the saddle stitching unit.

ACF-30S : Accumulator & Folder

Sheets are scored and plow folded to form crisp, tightly folded booklets.

SPF-30S : Saddle Stitcher

Folded sheets are accumulated on the saddle, perfectly jogged, and accurately stitched.

HTS-30S : Three Knife Trimmer

Professional-quality three-knife trimming applies the final finish. A center-cut option enables two-up production.

CF-30S : Cover Feeder (Option)

One or two modular cover feeding stations can be added, to insert up to 5 sheets plus cover anywhere in the booklet.

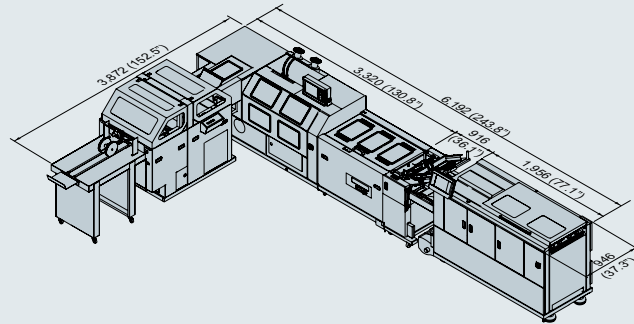
StitchLiner6000 Digital Specifications

| | | |
|-------------------------------|---|--|
| Sheet Size | Max. 350(W) x 500(L) mm (13.7" x 19.6") Min. 210(W) x 279.4(L) mm (8.3" x 11") | |
| Sheet Weight Range | Normal Paper: 52 to 209 gsm Coated Paper: 73 to 209 gsm | |
| Web Speed | Max. 180 m (590ft) / min. | |
| Stitch Thickness | Min. Two Sheets Max. 5 mm (0.19") (Booklet thickness: 10 mm or 0.39") For loop stitching, Max. 3 mm (0.11") of booklet thickness. | |
| Stitch Distance | Min. 66 mm (2.6") Max. 150 mm (5.9") Up to two additional stitcher heads can be added. | |
| Size Before Trimming | Max. 350 (Top-bottom) x 250 (Fore-edge) mm (13.7" x 9.8") Min. 210 (Top-bottom) x 139.7 (Fore-edge) mm (8.3" x 5.5") Min. 2 mm (0.08") | |
| Trim Width | Max. 25 mm (0.98") (When center-cut is performed, the width is limited to a half of the center-cut width.) | |
| Center-cut Width | 6 mm, 8 mm or 0.25" | |
| Booklet Size (after trimming) | Max. 340 (Top-bottom) x 230 (Fore-edge) mm (13.3" x 9.0") Min. 160 (Top-bottom) x 114.7 (Fore-edge) mm (6.3" x 4.6") When center-cut is performed Max. 167 (Top-bottom) x 220 mm (Fore-edge) mm (6.5" x 8.6") [6 mm width center-cut] | |
| Sheet Sizes for Cover Feeder | Max. 350(W) x 500(L) mm (13.7" x 19.6") Min. 140(W) x 199(L) mm (5.6" x 7.9") Normal Paper : 81 to 270 gsm Coated Paper : 85 to 300 gsm For feeding six-page signatures and eight-page signatures, 10 mm (0.4") gap between sheet edges is required at least. | |
| Sheet Stack Height | Max. 30mm (1.1") Sheets can be loaded while running. | |
| Production Speed | Max. 6000 booklets / h (A3, one block, up to 6 sheets) Min. 2400 booklets / h (A3, 12 sheets, two block) | |
| Voltage/Frequency | AS-30S | Single Phase 200 V, 50 / 60 Hz Single Phase 220 V, 50 / 60 Hz Single Phase 230 V, 50 / 60 Hz Single Phase 240 V, 50 / 60 Hz |
| | CF-30S | 3-Phase 200 V, 50 / 60 Hz 3-Phase 208 V, 60 Hz 3-Phase 220 V, 50 / 60 Hz 3-Phase 240 V, 50 / 60 Hz |
| | ACF-30S / SPF-30S / HTS-30S | 3-Phase 200 V, 50 / 60 Hz 3-Phase 220 V, 50 / 60 Hz 3-Phase 400 V, 50 / 60 Hz |
| | | 200 V, 50 / 60 Hz, 420 / 410 W 220 V, 50 / 60 Hz, 430 / 420 W 230 V, 50 / 60 Hz, 420 / 420 W 240 V, 50 / 60 Hz, 420 / 420 W |
| Power Consumption | AS-30S | 200 V, 50 / 60 Hz, 420 / 410 W 220 V, 50 / 60 Hz, 430 / 420 W 230 V, 50 / 60 Hz, 420 / 420 W 240 V, 50 / 60 Hz, 420 / 420 W |
| | CF-30S | 200 V, 50 / 60 Hz, 1,900 / 2,700 W 208 V, 60 Hz, 2650 W 220 V, 50 / 60 Hz, 1,930 / 2,610 W 240 V, 50 / 60 Hz, 2,010 / 2,610 W |
| | ACF-30S / SPF-30S / HTS-30S | 200 V, 50 / 60 Hz, 2,300 / 2,200 W 220 V, 50 / 60 Hz, 2,200 / 2,200 W 400 V, 50 / 60 Hz, 2,200 / 2,200 W |
| | | 200 V, 50 / 60 Hz, 3.3 / 3.2 A 220 V, 50 / 60 Hz, 3.0 / 2.8 A 230 V, 50 / 60 Hz, 2.8 / 2.7 A 240 V, 50 / 60 Hz, 2.7 / - A |
| Rated Current | AS-30S | 200 V, 50 / 60 Hz, 3.0 / 2.8 A 230 V, 50 / 60 Hz, 2.8 / 2.7 A 240 V, 50 / 60 Hz, 2.7 / - A |
| | CF-30S | 200 V, 50 / 60 Hz, 6.9 / 8.6 A 208 V, 60 Hz, 8.2 A 220 V, 50 / 60 Hz, 7.1 / 7.9 A 240 V, 50 / 60 Hz, 7.9 / 7.6 A |
| | ACF-30S / SPF-30S / HTS-30S | 200 V, 50 / 60 Hz, 7.7 / 7.0 A 220 V, 50 / 60 Hz, 6.7 / 6.6 A 400 V, 50 / 60 Hz, 3.6 / 3.5 A |
| | | 200 V, 50 / 60 Hz, 3.3 / 3.2 A 220 V, 50 / 60 Hz, 3.0 / 2.8 A 230 V, 50 / 60 Hz, 2.8 / 2.7 A 240 V, 50 / 60 Hz, 2.7 / - A |
| Machine Weight | AS-30S: 464 kg (1,023 lbs.) / ACF-30S: 266 kg (587 lbs.) SPF-30S: 760 kg (1,676 lbs.) / HTS-30S: 1,000 kg (2,205 lbs.) | |

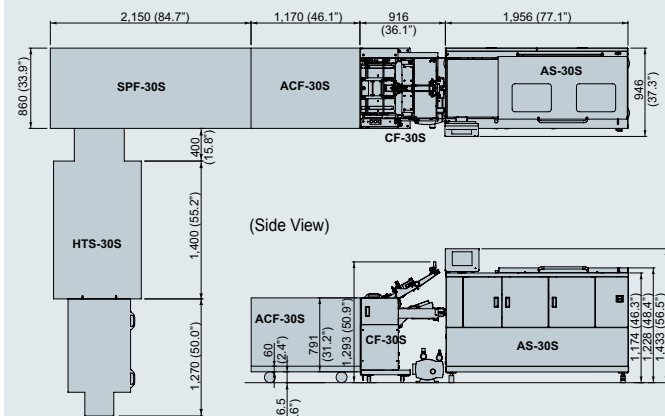
*The machine design and specifications are subject to change without any notice.

Machine Dimensions and Installation Space [Unit : mm (inch)]

Height : 1,433 mm (56.5")



(Top View)



(Side View)

Horizon

HORIZON INTERNATIONAL, INC.

510 Kuze Ooyabu-cho, Minami-ku, Kyoto, 601-8206, Japan
Phone : +81-(0)75-934-6700 Fax : +81-(0)75-934-6708
www.horizon.co.jp

Distributed by

STANDARD

Standard Finishing Systems, 10 Connector Road, Andover, MA 01810
877-404-4460 978-470-1920 Fax 978-470-0819
www.standardfinishing.com